

# TWV-3W-KIT



## Tankless Water Heater Valve Kit with Pressure Relief Valve

### Description

Each kit includes two 1/4 turn, lever operated, hot forged brass, 3-way, color coded ball valves and a pressure relief valve. Two-piece design. Made in Italy.

### Features

Designed for use with tankless water heaters.

- Quality comes standard...manufactured in Italy
- 600 WOG
- Forged brass construction
- Quarter-turn operation
- Standard port
- Color coded hot and cold lever handles
- Unique 3-way style ball
- Double Viton® O-Rings with Teflon packing and packing nut guarantees no stem leaks
- U.S.A. patent pending
- 3/4" 200,000 BTU/hr pressure relief valve included with kit
- Available in FIP and CxC. Press connection coming soon.

### Warranty

The Company, for a period of one year from the date of shipment, warrants each product or system of its own manufacture to the original purchaser to be free from defects in material and workmanship under normal use, service and maintenance.



TWV-3W-KIT

#### Architect/Engineer approval

Job Name \_\_\_\_\_ Date \_\_\_\_\_  
Model Specified \_\_\_\_\_ Quantity \_\_\_\_\_  
Variations Specified \_\_\_\_\_  
Customer/Wholesaler \_\_\_\_\_  
Contractor \_\_\_\_\_  
Architect \_\_\_\_\_

Note: Information subject to change without notice.



Jomar International Ltd.  
7243 Miller Drive  
Warren, MI 48092  
Phone: 800-325-5690  
Fax: 800-628-4194  
www.jomar.com

© Copyright 2008 Printed in U.S.A.  
TWV-3W-Kit  
0108

## Tankless Water Heater Valve Kit with Pressure Relief Valve



### Description

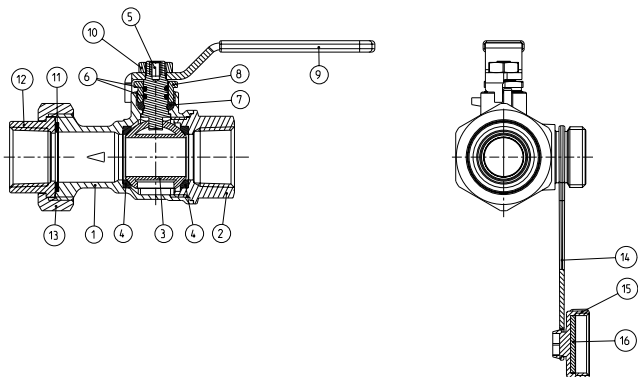
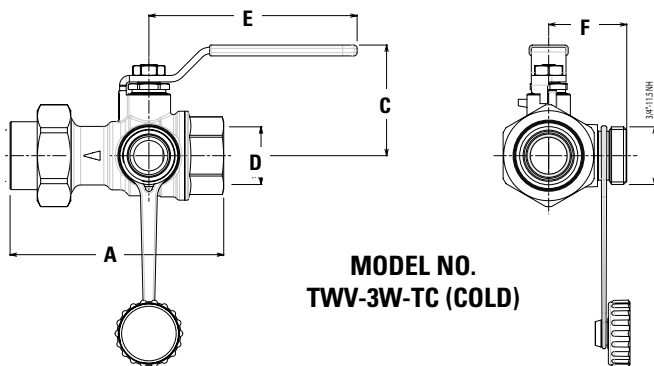
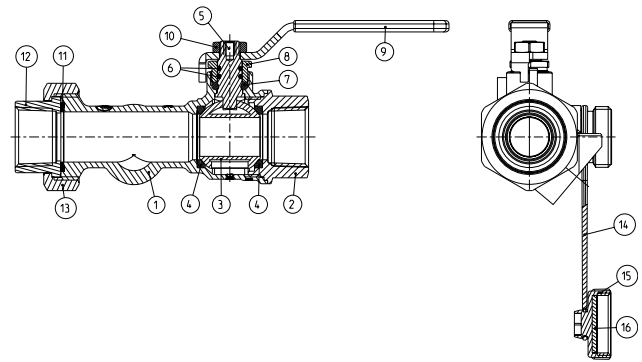
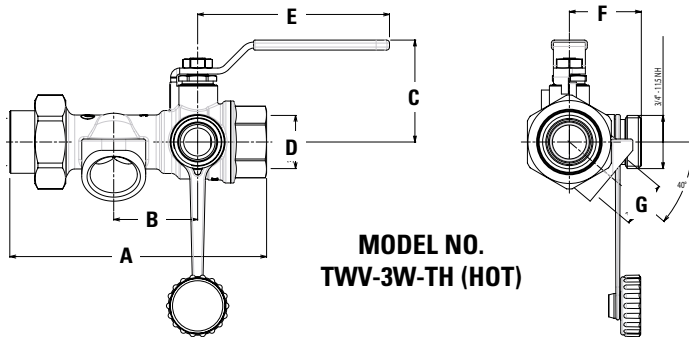
Each kit includes two 1/4 turn, lever operated, hot forged brass, 3-way, color coded ball valves and a pressure relief valve. Two-piece design. Made in Italy.

### Dimensions in Inches

Comp. No.	Valve Size	A	B	C	D	E	F	G
<b>810-504 (3/4" Threaded Kit)</b>								
810-524	3/4" TWV-3W-TH	5.05	1.65	2.00	0.75	3.74	1.41	0.75
810-534	3/4" TWV-3W-TC	3.87	-	2.00	0.75	3.74	1.41	-
NA	3/4" Relief							
<b>810-514 (3/4" Sweat Kit)</b>								
810-544	3/4" TWV-3W-SH	5.05	1.65	2.00	0.75	3.74	1.41	0.75
810-554	3/4" TWV-3W-SC	3.87	-	2.00	0.75	3.74	1.41	-
NA	3/4" Relief							

### Materials Specifications

No.	Part Name	Materials
1	Body	Forged Brass ASTM C37000
2	End Female Connection	Forged Brass ASTM C37000
3	Special Ball	Chrome Plated Brass
4	Seat (2)	PTFE (Teflon)
5	Stem	Brass
6	O-Ring (2)	Viton®
7	Packing	PTFE (Teflon)
8	Gland	Brass
9	Lever Handle	Dacromet Steel with PVC Grip
10	Nut	Dacromet Steel
11	Washer	EPDM
12	Female Tail	Forged Brass ASTM C37000
13	Nut	Forged Brass ASTM C37000
14	Lace	PVC
15	Cap	Forged Brass ASTM C37000
16	Gasket	NBR



Note: Information subject to change without notice.



Jomar International Ltd.  
7243 Miller Drive  
Warren, MI 48092  
Phone: 800-325-5690  
Fax: 800-628-4194  
www.jomar.com

© Copyright 2008 Printed in U.S.A.  
TWV-3W-Kit  
0108