



Double Union End Carbon Steel Ball Valve



T-CS-2002N-SS-DUE



S-CS-2002N-SS-DUE

Description

1/4 turn, latch-lock, lever handle operated, WCB carbon steel body with 316 stainless steel ball and stem, 100% full port, blow-out proof stem, and 5-piece double-union end body design.

Features

- Solid ball construction
- Hostaflo[®]-TFM 1600 seats
- 5 piece body design
- 100% full port design @ 3000 WOG/150 WSP
- Mounting pad
- Reversible handle
- Adjustable stem packing with blow out proof stem
- Union and spacer seals made of Hostaflo[®]-TFM 1600.
- Lever handle with vinyl grip

Approvals

- UL listed MHKZ, YQNZ, YRBX, TRPV (UL 842), YSDT (UL 125)
- API-598
- ANSI B1.20.1 (NPT),
- ANSI B16.11
- MSS SP-110
- NACE MR0175-2003

Accessories

- Oval handles available
- Pneumatic & electric actuation

Warranty

The Company, for a period of one year from the date of shipment, warrants each product or system of its own manufacture to the original purchaser to be free from defects in material and workmanship under normal use, service and maintenance.

Architect/Engineer approval

Job Name _____ Date _____
Model Specified _____ Quantity _____
Variations Specified _____
Customer/Wholesaler _____
Contractor _____
Architect _____

Note: Information subject to change without notice.



Jomar International Ltd.
7243 Miller Drive
Warren, MI 48092
Phone: 800-325-5690
Fax: 800-628-4194
www.jomar.com

Double Union End Carbon Steel Ball Valve



Description

1/4 turn, latch-lock, lever handle operated, WCB carbon steel body with 316 stainless steel ball and stem, 100% full port, blow-out proof stem, and 5-piece double-union end body design.

Dimensions in Inches

Computer No.	Valve Size	A	B	C	D	E	F
THREADED							
100-991	1/4"	3.54	0.44	2.40	4.13	-	-
100-992	3/8"	3.54	0.44	2.40	4.13	-	-
100-993	1/2"	3.54	0.62	2.40	4.13	0.44	0.87
100-994	3/4"	3.70	0.80	2.76	4.94	0.56	1.07
100-995	1"	4.25	1	2.91	6.91	0.72	1.34
100-996	1-1/4"	4.57	1.25	3.22	7.80	0.72	1.69
100-997	1-1/2"	5.20	1.50	3.50	9.78	0.72	1.93
100-998	2"	5.67	1.97	3.82	9.78	0.84	2.42
SOCKET WELD							
101-991	1/4"	3.54	0.44	2.40	4.13	-	-
101-992	3/8"	3.54	0.44	2.40	4.13	-	-
101-993	1/2"	3.54	0.62	2.40	4.13	0.44	0.87
101-994	3/4"	3.70	0.80	2.76	4.94	0.56	1.07
101-995	1"	4.25	1	2.91	6.91	0.72	1.34
101-996	1-1/4"	4.57	1.25	3.22	7.80	0.72	1.69
101-997	1-1/2"	5.20	1.50	3.50	9.78	0.72	1.93
101-998	2"	5.67	1.97	3.82	9.78	0.84	2.42

Material Specification

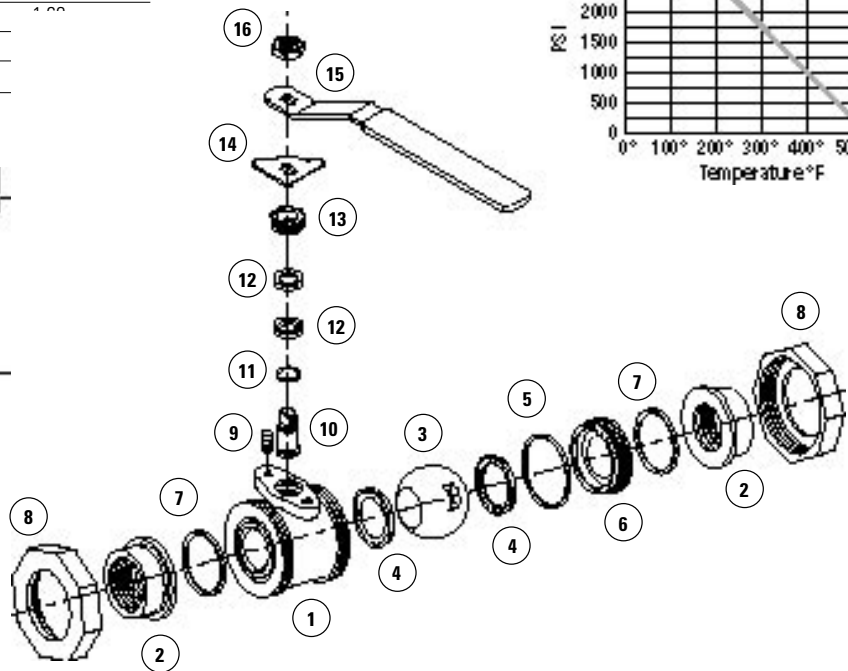
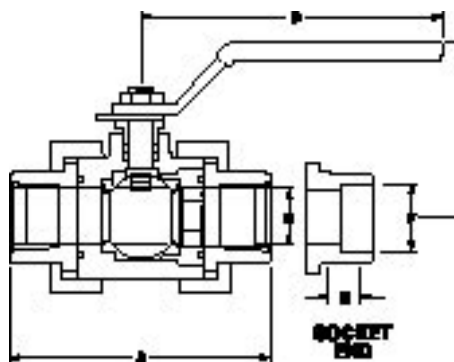
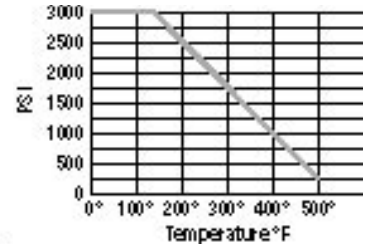
Item	Part Name	Material Specifications
1	Body	WCB Carbon Steel
2	Tail Piece (2)	WCB Carbon Steel
3	Ball	316 Stainless Steel
4	Seat (2)	Hostaflo®-TFM 1600
5	Body Seal	Hostaflo®-TFM 1600
6	Ball Retainer	WCB Carbon Steel
7	Union Seal	PTFE
8	Union Nut (2)	WCB Carbon Steel
9	Stop Screw	304 Stainless Steel
10	Stem	316 Stainless Steel
11	Stem Seal	Hostaflo®-TFM 1600
12	Stem Packing (2)	Hostaflo®-TFM 1600
13	Follower Gland	304 Stainless Steel
14	Stop Plate	304 Stainless Steel
15	Handle	304 Stainless Steel
16	Handle Nut	304 Stainless Steel

Pressure Rating

3000 WOG

150 WSP

Valve Seat Rating



Note: Information subject to change without notice.



Jomar International Ltd.
7243 Miller Drive
Warren, MI 48092
Phone: 800-325-5690
Fax: 800-628-4194
www.jomar.com