



3-Piece / Enclosed Eight Cap Bolt Design Carbon Steel Ball Valve



Conforms to API 598, API 607 4th Edition
ANSI B16.34, MSS SP-110, SP-61, SP-82, WWV-35C



T-CS-2001N-SS-4B

Description

1/4 turn, latch-lock, lever handle operated, WCB carbon steel body with 316 stainless steel ball and stem, standard port, blow-out proof stem, and 3-piece body design.

Features

- Standard port
- Pressure rating: 2000 WOG/150 WSP
- Latch lock handle
- Hostaflo[®]-TFM 1600 seats & stem packing
- Reversible handle for multiple applications
- 316 stainless steel ball & stem
- Solid ball construction
- Blow out proof stem
- Temperature range -40°F to +366°F
- Latch lock may be locked in open or closed position
- NPT on Socket Weld
- ISO 5211 mounting pad for actuation
- NPT on socket weld connections

Approvals

- UL listed MHKZ, YQNZ, YRBX, TRPV (UL 842), YSDT (UL 125)
- API 607 (4th edition) - fire safe rated
- Conforms to API 598
- ANSI B16.34
- MSS SP-110, SP-61, SP-82

Accessories

- Available with pneumatic/electric actuator
- Reversible handle

Warranty

The Company, for a period of one year from the date of shipment, warrants each product or system of its own manufacture to the original purchaser to be free from defects in material and workmanship under normal use, service and maintenance.

Architect/Engineer approval	
Job Name _____	Date _____
Model Specified _____	Quantity _____
Variations Specified _____	
Customer/Wholesaler _____	
Contractor _____	
Architect _____	

Note: Information subject to change without notice.



Jomar International Ltd.
7243 Miller Drive
Warren, MI 48092
Phone: 800-325-5690
Fax: 800-628-4194
www.jomar.com

3-Piece / Enclosed Eight Cap Bolt Design Carbon Steel Ball Valve



Description

1/4 turn, latch-lock, lever handle operated, WCB carbon steel body with 316 stainless steel ball and stem, standard port, blow-out proof stem, and 3-piece body design.

Dimensions in Inches

Computer No.	Valve Size	A	B	C	D
THREADED					
601-613	1/2"	2.71	0.43	2.26	4.07
601-614	3/4"	2.94	0.57	2.44	4.07
601-615	1"	3.51	0.81	2.87	4.90
601-616	1-1/4"	3.90	0.98	3.64	6.00
601-617	1-1/2"	4.43	1.25	3.46	7.78
601-618	2"	5.09	1.50	3.70	7.78
SOCKET WELD					
601-633	1/2"	2.71	0.43	2.26	4.07
601-634	3/4"	2.94	0.57	2.44	4.07
601-635	1"	3.51	0.81	2.87	4.90
601-636	1-1/4"	3.90	0.98	3.64	6.00
601-637	1-1/2"	4.43	1.25	3.46	7.78
601-638	2"	5.09	1.50	3.70	7.78

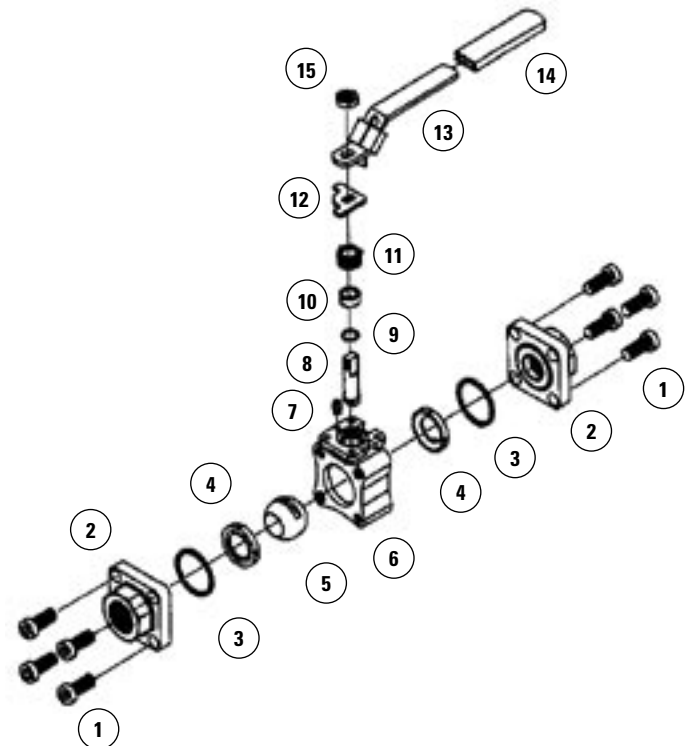
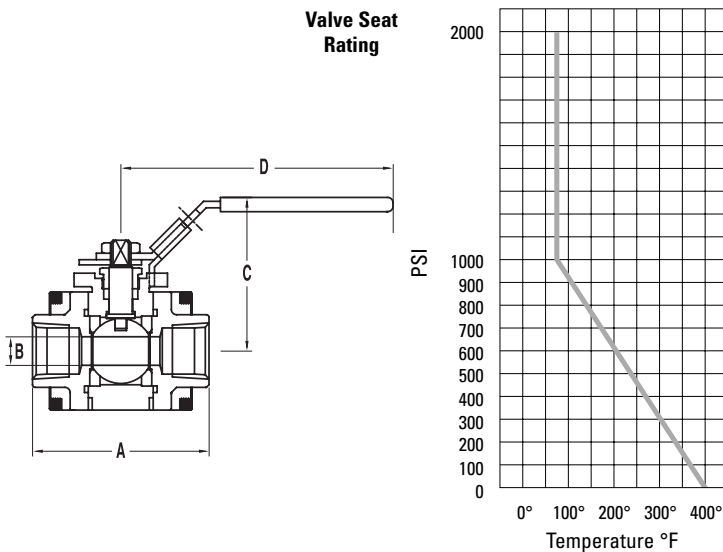
Material Specification

Item	Part Name	Material Specifications
1	Bolts	CLS/12.9
2	Body Caps (2)	WCB Carbon Steel
3	Body Seals	Hostaflo®-TFM 1600/Graphite
4	Seats	Hostaflo®-TFM 1600
5	Ball	316 Stainless Steel
6	Body	WCB Carbon Steel
7	Stop Screw	304 Stainless Steel
8	Stem	316 Stainless Steel
9	Stem Packing	Hostaflo®-TFM 1600
10	Stem Seal	Hostaflo®-TFM 1600/Graphite
11	Packing Gland	304 Stainless Steel
12	Stop Plate	304 Stainless Steel
13	Lever Handle	304 Stainless Steel
14	Plastic Coating	Vinyl
15	Handle Nut	304 Stainless Steel

Item 8,10 Graphite for fire safe use

Pressure Rating

2000 WOG 150 WSP



Note: Information subject to change without notice.