



Carbon Steel 3-Piece, 4 Bolt Pattern Ball Valves



T-CS 1000N-SS-4B IPS



S-CS 1000N-SS-4B CxC

Description

1/4 turn lever handle operated, WCB Carbon Steel, 3-piece, 4-bolt (swingout pattern), full port, 316 stainless steel solid ball, with blow-out proof 316 stainless steel stem ball valve.

Features

- Latch lock handle, which can be locked in open or closed positions
- WCB Investment Casted Carbon Steel Body
- 316 Stainless Steel ball and stem
- 304 Stainless Steel trim
- Pressure rating: 1000 WOG / 150 WSP
- Hostafion® seats and stem packing
- NPT on socket weld
- 3-piece body design for easy maintenance

Approvals

- UL Listed MHKZ, YQNZ, YRBX, YRPV, UL 842

Accessories

- Repair Kit available
- Pneumatic/Electric Actuators Available

Warranty

The Company, for a period of one year from the date of shipment, warrants each product or system of its own manufacture to the original purchaser to be free from defects in material and workmanship under normal use, service and maintenance.

Architect/Engineer approval

Job Name _____ Date _____
Model Specified _____ Quantity _____
Variations Specified _____
Customer/Wholesaler _____
Contractor _____
Architect _____

Note: Information subject to change without notice.



Jomar International Ltd.
7243 Miller Drive
Warren, MI 48092
Phone: 800-325-5690
Fax: 800-628-4194
www.jomar.com

T/S-CS-1000N-SS-4B

Carbon Steel 3-Piece, 4 Bolt Pattern Ball Valves



Description

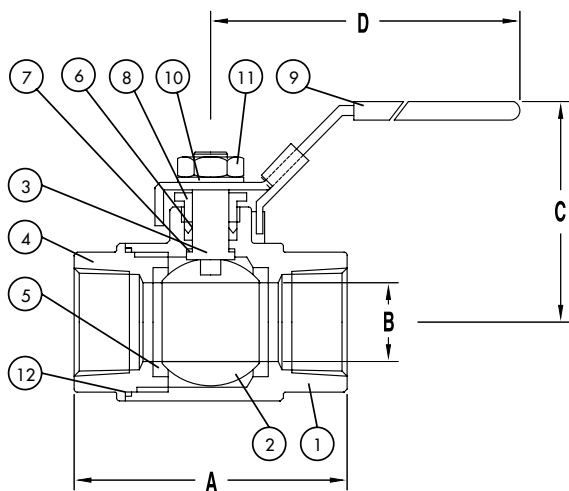
1/4 turn lever handle operated, WCB Carbon Steel, 3-piece, 4-bolt (swingout pattern), full port, 316 stainless steel solid ball, with blow-out proof 316 stainless steel stem ball valve.

Dimensions in Inches

Computer No.	Size	A	B	C	D
T-CS-1000N-SS-4B NPT					
500-401	1/4"	2.37	0.43	2.18	4.30
500-402	3/8"	2.37	0.43	2.18	4.30
500-403	1/2"	2.76	0.56	2.38	4.30
500-404	3/4"	3.03	0.81	2.87	5.81
500-405	1"	3.63	1.00	2.95	5.81
500-406	1-1/4"	4.14	1.25	3.66	7.44
500-407	1-1/2"	4.73	1.50	3.94	7.44
500-408	2"	5.43	1.97	4.25	7.81

S-CS-1000N-SS-4B Socket Weld

500-503	1/2"	2.76	0.56	2.38	4.30
500-504	3/4"	3.03	0.81	2.87	5.81
500-505	1"	3.63	1.00	2.95	5.81
500-506	1-1/4"	4.14	1.25	3.66	7.44
500-507	1-1/2"	4.73	1.50	3.94	7.44
500-508	2"	5.43	1.97	4.25	7.81



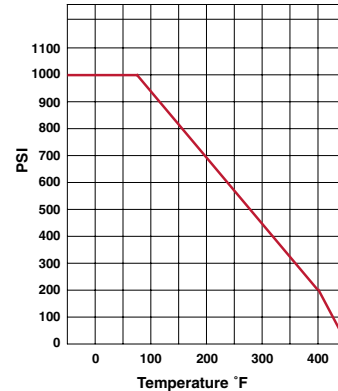
Material Specifications

Part	Name	Materials
1	Body	WCB Carbon Steel
2	Ball	CF8M Stainless Steel
3	Stem	316 Stainless Steel
4	Body Cap	WCB Carbon Steel
5	Seat	2nd Generation P.T.F.E. Seats
6	Stem Packing	R.T.F.E.
7	Stem Seal	T.F.E.
8	Gland Ring	Carbon Steel
9	Handle	Carbon Steel
10	Spring Washer	Carbon Steel
11	Lock Nut	Carbon Steel
12	Union Seal	R.T.F.E.

Pressure Rating

1/4"-2" 150 WSP
1/4"-2" 1000 WOG

VALVE SEAT RATING



Note: Information subject to change without notice.



Jomar International Ltd.
7243 Miller Drive
Warren, MI 48092
Phone: 800-325-5690
Fax: 800-628-4194
www.jomar.com

© Copyright 2006 Printed in U.S.A.
T/S-CS-1000N-SS 4B
0406