



Carbon Steel Standard Port Ball Valve



UL listed for flammable liquids, LP Gas air mixtures and anhydrous-ammonia.

Conforms to: ANSI B16.34, API 598

Thread: ANSI B1.20.1 (NPT)



T-CS-2000N-SS

Description

1/4 turn, latch-lock, lever handle operated, WCB carbon steel body with 316 stainless steel ball and stem, standard port, blow-out proof stem, and 2-piece body design.

Features

- Two-piece standard port
- Pressure rating: 2000 WOG/150 WSP
- Hostaflon®-TFM 1600 seats and stem packing
- 316 stainless steel ball & stem
- Solid ball construction
- Mounting pad for panel mount
- Latch lock may be locked in open or closed position.
- NPT connections

Approvals

- UL listed MHKZ, YQNZ, YRBX, YRPV, (UL 842) YSDT (UL 125)
- Conforms to ANSI B16.34 & API 598
- Thread: ANSI B1.20.1 (NPT)

Accessories

- Can be fitted with electric or pneumatic actuator

Warranty

The Company, for a period of one year from the date of shipment, warrants each product or system of its own manufacture to the original purchaser to be free from defects in material and workmanship under normal use, service and maintenance.

Architect/Engineer approval

Job Name _____ Date _____
Model Specified _____ Quantity _____
Variations Specified _____
Customer/Wholesaler _____
Contractor _____
Architect _____

Note: Information subject to change without notice.



Jomar International Ltd.
7243 Miller Drive
Warren, MI 48092
Phone: 800-325-5690
Fax: 800-628-4194
www.jomar.com

Carbon Steel Standard Port Ball Valve

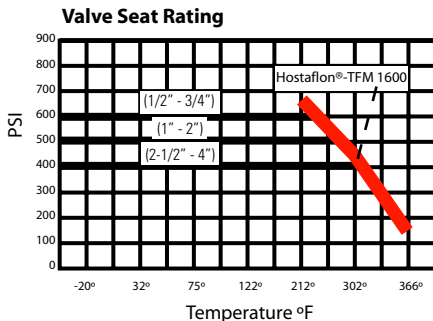
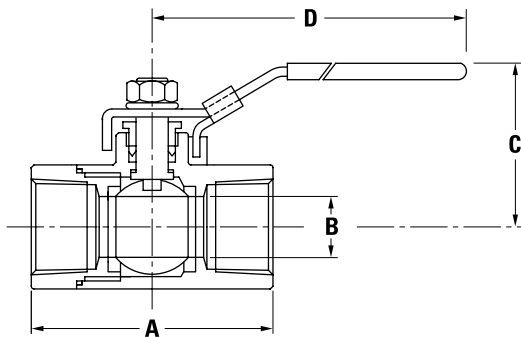


Description

1/4 turn, latch-lock, lever handle operated, WCB carbon steel body with 316 stainless steel ball and stem, standard port, blow-out proof stem, and 2-piece body design.

Dimensions in Inches

Computer No.	Valve Size	A	B	C	D
100-951	1/4"	2.339	0.437	1.937	4.055
100-952	3/8"	2.339	0.492	1.937	4.055
100-953	1/2"	2.339	0.492	1.937	4.055
100-954	3/4"	2.626	0.591	2.122	4.055
100-955	1"	2.984	0.787	2.492	4.291
100-956	1-1/4"	3.488	0.984	3.079	5.709
100-957	1-1/2"	3.835	1.26	3.24	5.709
100-958	2"	4.803	1.496	3.661	7.087



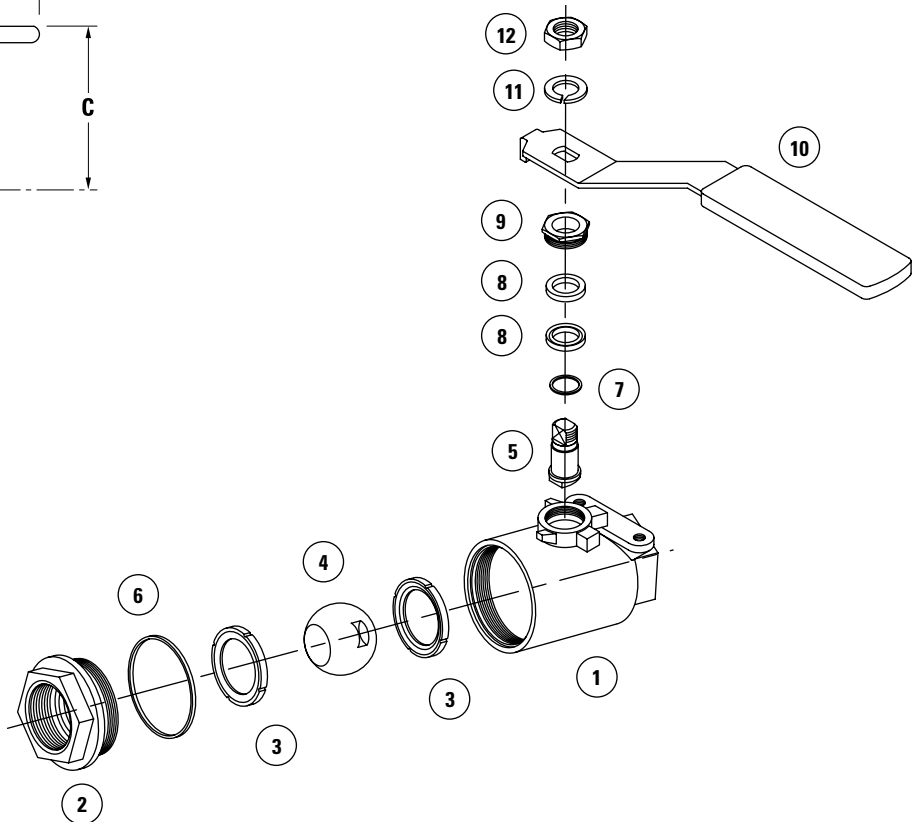
Material Specification

Item	Part Name	Material Specifications
1	Body	WCB Carbon Steel
2	End Adapter	WCB Carbon Steel
3	Seat (2)	Hostafion®-TFM 1600
4	Ball	316 Stainless Steel
5	Stem	316 Stainless Steel
6	Joint Gasket	Hostafion®-TFM 1600
7	Thrust Washer	PTFE
8	Stem Seal (2)	Hostafion®-TFM 1600
9	Follower Gland	Carbon Steel
10	Handle	304 Stainless Steel
11	Lock Washer	304 Stainless Steel
12	Handle Nut	304 Stainless Steel

Pressure Rating

2000 WOG

150 WSP



Note: Information subject to change without notice.