



Carbon Steel Standard Port Ball Valve with Vented Ball

Description

1/4 turn, latch-lock, lever handle operated, WCB carbon steel body with stainless steel vented ball and stem, standard port, blow-out proof stem, and 2-piece body design.

Features

- Two-piece standard port
- Pressure rating: 2000 WOG/150 WSP
- Teflon seats and stem packing
- Stainless steel ball & stem
- Solid ball construction
- Mounting pad for panel mount
- Latch lock may be locked in open or closed position

Approvals

- ASME B16.34

Accessories

- Can be fitted with electric or pneumatic actuator

Warranty

The Company, for a period of one year from the date of shipment, warrants each product or system of its own manufacture to the original purchaser to be free from defects in material and workmanship under normal use, service and maintenance.



T-CS-2000N-SS-VB

Architect/Engineer approval

Job Name _____ Date _____
Model Specified _____ Quantity _____
Variations Specified _____
Customer/Wholesaler _____
Contractor _____
Architect _____

Note: Information subject to change without notice.

Carbon Steel Standard Port Ball Valve with Vented Ball

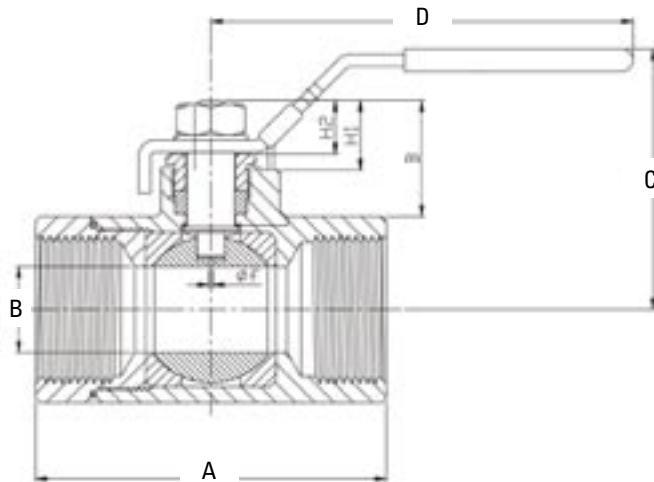


Description

1/4 turn, latch-lock, lever handle operated, WCB carbon steel body with stainless steel vented ball and stem, standard port, blow-out proof stem, and 2-piece body design.

Dimensions in Inches

Computer No.	Valve Size	A	B	C	D
100-951VB	1/4"	2.24	0.44	2.01	3.94
100-952VB	3/8"	2.24	0.50	2.01	3.94
100-953VB	1/2"	2.36	0.50	2.01	3.94
100-954VB	3/4"	3.11	0.69	2.44	4.84
100-955VB	1"	3.35	0.88	2.64	4.84
100-956VB	1-1/4"	4.02	1.00	3.31	5.67
100-957VB	1-1/2"	4.37	1.25	3.50	5.67
100-958VB	2"	5.39	1.50	3.70	7.09



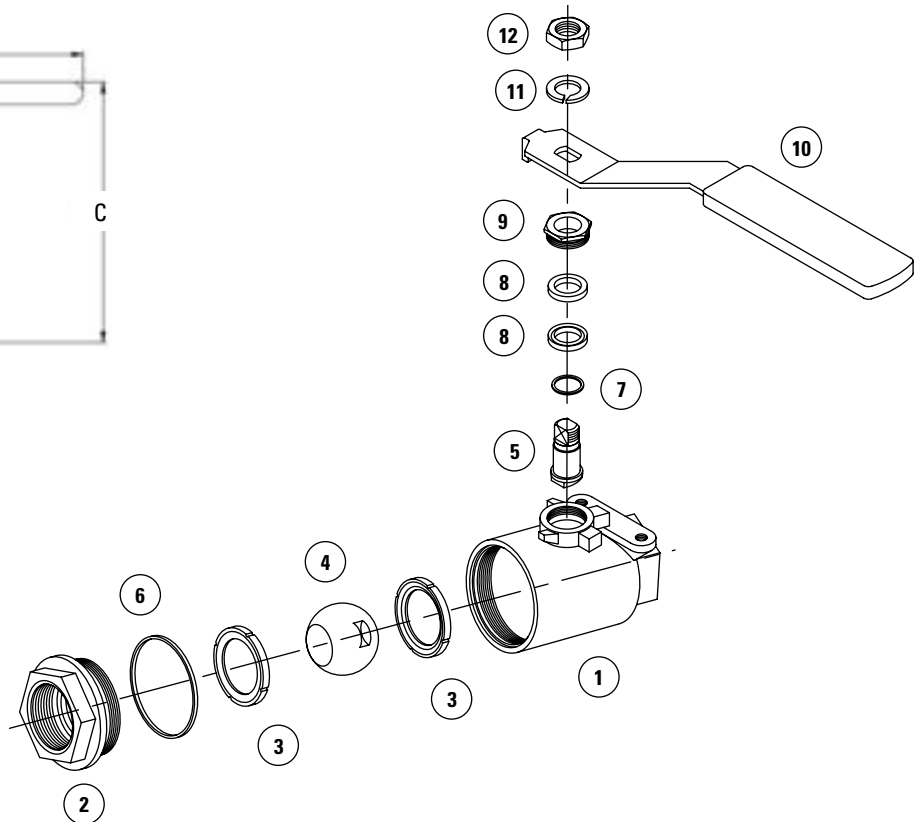
Material Specification

Item	Part Name	Material Specifications
1	Body	WCB Carbon Steel
2	End Adapter	WCB Carbon Steel
3	Seat (2)	PTFE
4	Vented Ball	CF8M Stainless Steel
5	Stem	316 Stainless Steel
6	Joint Gasket	PTFE
7	Thrust Washer	PTFE
8	Stem Seal (2)	PTFE
9	Follower Gland	304 Stainless Steel
10	Handle	304 Stainless Steel
11	Lock Washer	304 Stainless Steel
12	Handle Nut	304 Stainless Steel

Pressure Rating

2000 WOG

150 WSP



Note: Information subject to change without notice.