

# T-CS-1001N-SS



## Carbon Steel Full Port Ball Valve



LP GAS

UL Listed for liquid propane

Conforms to API 598

ANSI B16.34, MSS SP-110, SP-61, SP-82



T-CS-1001N-SS

### Description

1/4 turn, latch-lock, lever handle operated, WCB carbon steel body with 316 stainless steel ball and stem, 100% full port, blow-out proof stem, and 2-piece body design.

### Features

- 100% full port
- Pressure rating: 1000 WOG /150 WSP
- Hostaflo®-TFM 1600 seats and stem packing
- 316 stainless steel ball & stem
- Solid ball construction
- Latch lock handle may be locked in open or closed position
- Mounting pad for panel mount
- Two piece design
- NPT connections

### Approvals

- UL listed MHKZ, YQNZ, YRBX, YRPV, (UL 842) YSDT (UL 125)
- Conforms to API 598
- ANSI B16.34
- MSS SP-110, SP-61, SP-82

### Accessories

- Can be fitted with electric or pneumatic actuator

### Warranty

The Company, for a period of one year from the date of shipment, warrants each product or system of its own manufacture to the original purchaser to be free from defects in material and workmanship under normal use, service and maintenance.

#### Architect/Engineer approval

Job Name \_\_\_\_\_ Date \_\_\_\_\_

Model Specified \_\_\_\_\_ Quantity \_\_\_\_\_

Variations Specified \_\_\_\_\_

Customer/Wholesaler \_\_\_\_\_

Contractor \_\_\_\_\_

Architect \_\_\_\_\_

Note: Information subject to change without notice.



Jomar International Ltd.  
7243 Miller Drive  
Warren, MI 48092  
Phone: 800-325-5690  
Fax: 800-628-4194  
www.jomar.com

© Copyright 2006 Printed in U.S.A.  
T-CS-1001N-SS  
0406

# T-CS-1001N-SS

## Carbon Steel Full Port Ball Valve

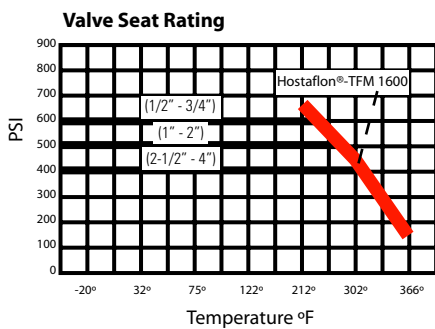
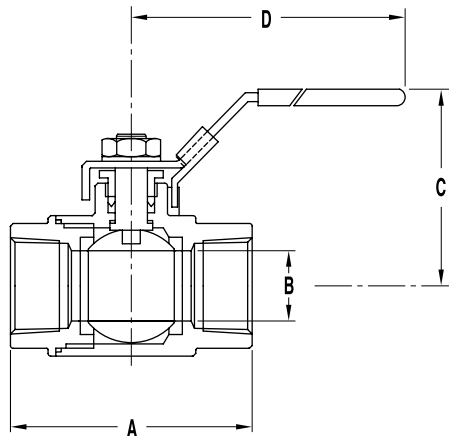


### Description

1/4 turn, latch-lock, lever handle operated, WCB carbon steel body with 316 stainless steel ball and stem, 100% full port, blow-out proof stem, and 2-piece body design.

### Dimension In Inches

Computer No.	Valve Size	A	B	C	D
100-971	1/4"	2.21	0.43	2.20	4.21
100-972	3/8"	2.21	0.43	2.20	4.21
100-973	1/2"	2.60	0.56	2.30	4.21
100-974	3/4"	2.99	0.81	2.79	5.73
100-975	1"	3.54	1.00	2.96	5.73
100-976	1-1/4"	3.94	1.25	3.56	7.45
100-977	1-1/2"	4.41	1.50	3.84	7.45
100-978	2"	5.00	1.97	4.24	8.08

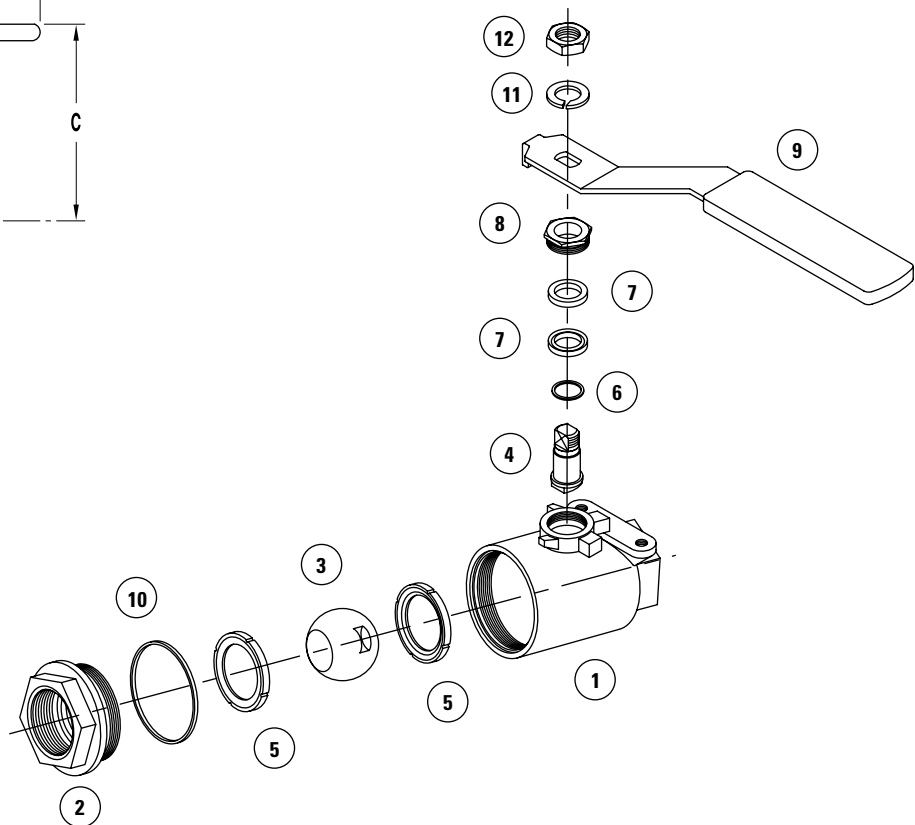


### Material Specification

Item	Part Name	Material Specifications
1	Body	WCB Carbon Steel
2	End Adapter	WCB Carbon Steel
3	Ball	316 Stainless Steel
4	Stem	316 Stainless Steel
5	Seat (2)	Hostaflon®-TFM 1600
6	Thrust Washer	PTFE
7	Stem Packing (2)	Hostaflon®-TFM 1600
8	Follower Gland	Carbon Steel
9	Lever Handle	304 Stainless Steel
10	Joint Gasket	Hostaflon®-TFM 1600
11	Lock Washer	304 Stainless Steel
12	Handle Nut	304 Stainless Steel

### Pressure Rating

1000 WOG



Note: Information subject to change without notice.



Jomar International Ltd.  
7243 Miller Drive  
Warren, MI 48092  
Phone: 800-325-5690  
Fax: 800-628-4194  
www.jomar.com

© Copyright 2006 Printed in U.S.A.  
T-CS-1001N-SS  
0406