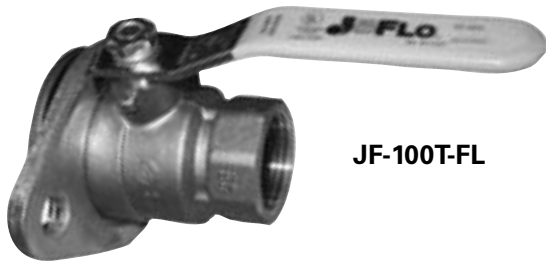




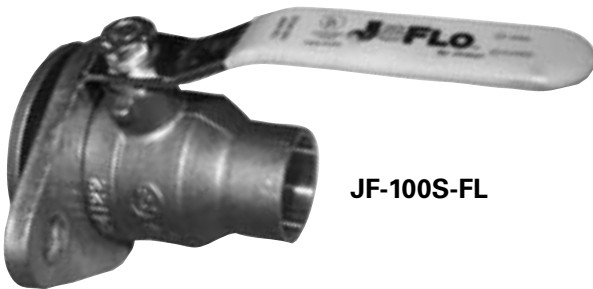
## Swivel Flange Ball Valve



Trim & Drain  
PENDING



JF-100T-FL



JF-100S-FL

### Description

1/4 turn, lever-operated, forged brass swivel flange ball valve. 100% Full port. For use on flanged end circulation pumps

### Features

- Ideal for use on in floor heating systems
- Swivel flange allows valve to be mounted in any position
- Full port
- 1/4 turn
- 150 WSP / 600 WOG
- UL listed for Trim & Drain pending
- Positional lever handle for easy operation

### Warranty

The Company, for a period of one year from the date of shipment, warrants each product or system of its own manufacture to the original purchaser to be free from defects in material and workmanship under normal use, service and maintenance.



#### Architect/Engineer approval

Job Name \_\_\_\_\_ Date \_\_\_\_\_  
Model Specified \_\_\_\_\_ Quantity \_\_\_\_\_  
Variations Specified \_\_\_\_\_  
Customer/Wholesaler \_\_\_\_\_  
Contractor \_\_\_\_\_  
Architect \_\_\_\_\_

Note: Information subject to change without notice.



Jomar International Ltd.  
7243 Miller Drive  
Warren, MI 48092  
Phone: 800-325-5690  
Fax: 800-628-4194  
www.jomar.com

## Swivel Flange Ball Valve



### Description

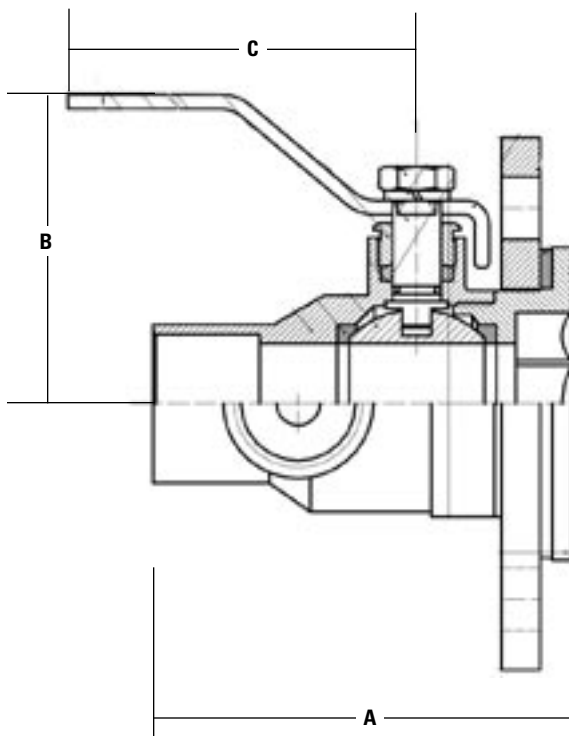
1/4 turn, lever-operated, forged brass swivel flange ball valve. 100% Full port. For use on flanged end circulation pumps

### Dimensions in Inches

Comp. No.	Valve Size	A	B	C	D	E	F
<b>Threaded</b>							
100-104FL	3/4" JF-100T-FL	5.05	1.65	2.00	0.75	3.74	1.41
100-105FL	1" JF-100T-FL	3.87	-	2.00	0.75	3.74	1.41
100-106FL	1-1/4" JF-100T-FL						
<b>Sweat</b>							
100-114FL	3/4" JF-100S-FL	5.05	1.65	2.00	0.75	3.74	1.41
100-115FL	1" JF-100S-FL	3.87	-	2.00	0.75	3.74	1.41
100-116FL	1-1/4" JF-100S-FL						

### Materials Specifications

No.	Part Name	Materials
1	Body	Forged Brass ASTM C37000
2	End Female Connection	Forged Brass ASTM C37000
3	Special Ball	Chrome Plated Brass
4	Seat (2)	PTFE (Teflon)
5	Stem	Brass
6	O-Ring (2)	Viton®
7	Packing	PTFE (Teflon)
8	Gland	Brass
9	Lever Handle	Dacromet Steel with PVC Grip
10	Nut	Dacromet Steel
11	Washer	EPDM
12	Female Tail	Forged Brass ASTM C37000
13	Nut	Forged Brass ASTM C37000
14	Lace	PVC
15	Cap	Forged Brass ASTM C37000
16	Gasket	NBR



Note: Information subject to change without notice.